

**LINT TOP PLASTIC BOBBIN CATALOGUE****Introduction:**

LINT TOP CABLE TECHNOLOGY CO., LTD is specialized in design, produce and sell plastic spool & reels. Our plastic bobbin are widely used in optical fiber, electrical cable, and different kinds of wire industries. According to national standard GB4004.1-83, JB/T76001-2008, German standard DIN 46395, DIN46391, DIN 46399, Japanese standard and interior standard.

Our product can be classified in five series with 14 sub types:

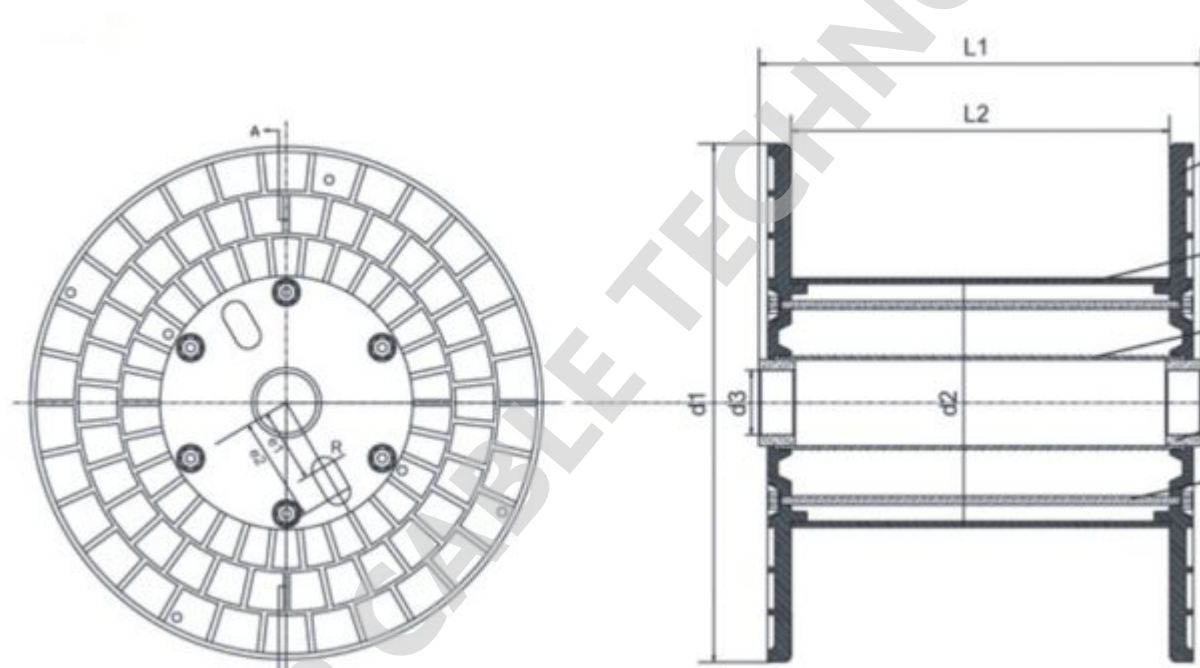
PN processing reels, PC copper wire reels, PL cables packing/delivery spools, PT magnet wire spool, and pulleys. After being used and practiced by thousand of cable manufacture and counter parties abroad and domestically.

**Plastic bobbin information:****1. PN series plastic bobbin**

**Usage:** PN series plastic bobbin is widely used in production process of a variety of cable, buncher wire, extruder, twisted, winding, weaning, cabling equipment pay off bobbin or take up bobbin. It can be reused in the production process.

**Feature:** Using combination structure, main material adopt imported ABS plastic injection molding, with surface smooth, high strength, impact resistance, acid corrosion, good balance, accuracy up to 6.3 grade, light weight and other characteristics advantages than wood bobbin and mental bobbins.

**PN-plastic bobbin model and size:**



NO	Model	d1	d2	L2	L1	D3	R	e1	e2
1	PN250	250	125	150	175	35			
2	PN300	300	160	130	160	30	7.2	37.7	62
3	PN315	315	130	185	215	25-40	8	46	53

4	PN355	400	223	160	200	36			
5	PN400	400	228	220	260	28			
6	PN400A	400	200	120	155	56-90	10	59	79
7	PN400B	400	200	250	300	56-80	10	59	79
8	PN400C	400	200	265	300	56-80	10	59	79
9	PN400D	400	200	250	300	56-85	11	63	77
10	PN400E	400	200	265	305	56-85	11	63	77
11	PN400F	400	170	245	285	52			
12	PN450	450	200	250/265	300/315	56-90	11	63	77
13	PN500A	500	250	250	300	56-127	11	65	91
14	PN500B	500	250	315	375	56-127	11	65	91
15	PN500C	500	250	280	320	56-127	11	65	91
16	PN500D	500	250	250/315	300/375	56-127	11	64	91
17	PN530	530	250	250/315	300/375	56-115	11	69	96
18	PN560	560	270		L2+54	56-140	8.5	80	125
19	PN630A	630	315	315	375	56-127	12	80	99
20	PN630B	630	315	415	475	56-127	12	80	99
21	PN800	800	400	500	600	56-157	20	120	203
22	PN914	914	430	500	600	80-127	13	127	151
23	PN1000	1000	500	630	750	56-127	20	115	158

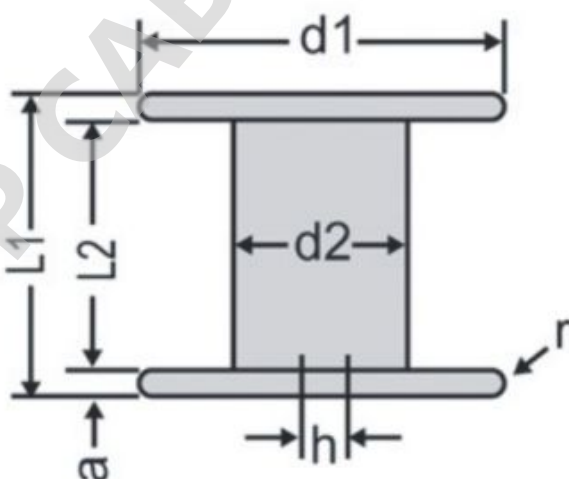
## 2. PC series plastic bobbin:



**Usage:** suitable for copper, tin (silver) wire, stainless steel wire, wire and other metal wire, take up bobbin and pay off bobbin used for drawing and stranding process.

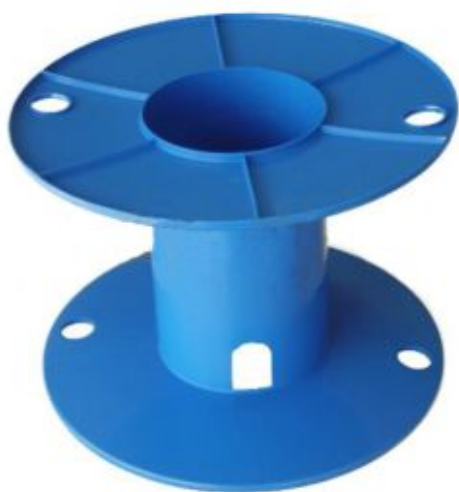
**Feature:** This series product adopt overall structure, with better balance, high strength, no card line advantages. Material main use ABS, PS, nylon and other alloy material. It can be reused. The highest dimensional accuracy can reach 0.05mm or less.

**PC-plastic bobbin model and size:**



NO	Model	d1	d2	L2	L1	h	weight
1	PC63	63	40	70	84	22	46
2	PC75	75	42	70	86	22	64
3	PC80	80	24	50	54	20	25
4	PC100	100	50	70	90	20	108
5	PC100	100	50	70	90	22	100
6	PC100	100	50	80	100	20	110
7	PC105	105	55	90	110	22	110
8	PC125	125	65	100	120	20/25	180
9	PC130	130	60	90	110	20	170
10	PC140	140	60	100	120	20	220
11	PC141	141	90	120	135	48	275
12	PC160	160	76	80	92	70	180
13	PC160	160	90	90	115	20	320
14	PC160	160	100	130	160	22	360
15	PC185A	185	127	160	180	30	500
16	PC185B	185	125	158	182	30	500
17	PC190	190	100	90	100	92	270
18	PC200	200	110	110	135	25	520
19	PC200	200	120	160	178	34	660
20	PC200	200	100	100	120	25	500
21	PC200	200	90	160	190	33	460
22	PC220	220	100	180	210	32	800
23	PC220	220	110	160	190	37	800

### 3. PL series plastic bobbin:



**Usage:** PL series bobbin belong to packing bobbin, used for electric wires, cables, data communication cables, RF cables, fiber optic cable and a variety of package, delivery bobbin.

**Feature:** This series products adopt environmentally friendly ABS, PS, PP, PE and other new material, renewable material production mold. It can made by customer's requirement. Bobbin size can change easily, use easily, elegant appearance and save energy.

### 4. PT series plastic bobbin:



**Usage:** mainly used for various types of enameled wire, magnet wire production and delivery with disc. It has advantages of overall structure mold, high strength, good balance and

performance.

## 5. PU series plastic bobbin



**Usage:** It adopt ABS material bush, mainly used as the wire passing pulley for optical fiber cablevarious cables with characteristic of smooth, light, well balance, easy operation.

**Following shows our production process:**





达普电缆技术有限公司

**LINT TOP CABLE TECHNOLOGY CO., LTD.**

Any type or model plastic bobbin you are interested in, please kindly let us know, we will send you quotation for your reference.

If necessary, we will send you plastic bobbin sample for your test.

We are always waiting for your kindly inquiry and feedback. Thanks a lot.